

THE DENTAL  
SOLUTIONS  
COMPANY™



## Dentsply Sirona Imaging Solutions

# Intraoral Imaging

[dentsplysirona.com/intraoral](https://dentsplysirona.com/intraoral)



# Elevate your practice

Because at Dentsply Sirona we are driven to provide more healthy smiles by supporting dental professionals and their practices with improved patient experiences, practice efficiencies and procedural expansion through our innovative procedural solutions combined with practice support including clinical education with our people as the foundation of everything that we do.



## ▶ Clinical confidence

Almost every treatment begins with a reliable diagnosis. It should be precise, yet quick and the image should be easy to capture. A high-quality X-ray with maximum clinical information allows you to feel comfortable and confident knowing that you have a clear view of the case and have everything needed for a successful treatment. Which is why our holistic product solutions offer you the right support for every situation down to the last detail for ultimate peace of mind and certainty in your diagnosis.



## ▶ Smart connectivity

At Dentsply Sirona, we don't just design individual products, we create solutions for your entire workflow. Because when your hardware and software come together in effortless cohesion, you can concentrate on what's most important: your patient. With an optimized workflow you not only increase practice efficiency and save valuable time, you also know that you are providing your patient with the best care possible for a healthy, happy smile and a successful treatment outcome.



## ▶ Exceptional experience

When designing our Dentsply Sirona Imaging Solutions we prioritize making our devices not only aesthetically and functionally successful, but also equipped to provide you with optimum clinical and diagnostic support. We want to ensure that you have equipment that you can trust and also enjoy working with.

# Dental professionals trust in Dentsply Sirona




---

“I have used an array of sensors over the years, but with the new Schick AE sensor from Dentsply Sirona, I saw an immediate improvement in my image quality. With the advanced filtering enhancements and optimizations I am confident that I am seeing all of the clinical details needed to support an accurate diagnosis.”

**Dr. Douglas M. Schulz, Leawood, KS**

---




---

“In our practice we treat patients of all age ranges and it’s really important that we have the right technology and imaging tools to support this. My Schick sensors and Heliodent Plus X-ray unit allow me to adjust my equipment and settings to each unique situation and patient, while supporting my individual workflow preferences.”

**Dr. Mona Patel, Whitefish Bay, WI**

---




---

“The Sidexis 4 imaging software is intuitive, making it easy to manipulate images to gain greater diagnostic capabilities. The software allows us to display and process 2D, 3D, and intraoral images simultaneously, which helps both with planning and diagnosis.”

**Dr. Clark Brown Jr., Melbourne, FL**

---




---

“The ease of positioning means I expose better quality images for my doctors, meaning my patients are not re-exposed to additional radiation. The quality, comfort and safety of the Schick 33 sensor make it an essential tool in the provision of elevated and comprehensive patient care”

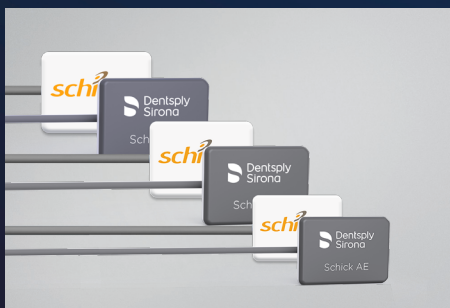
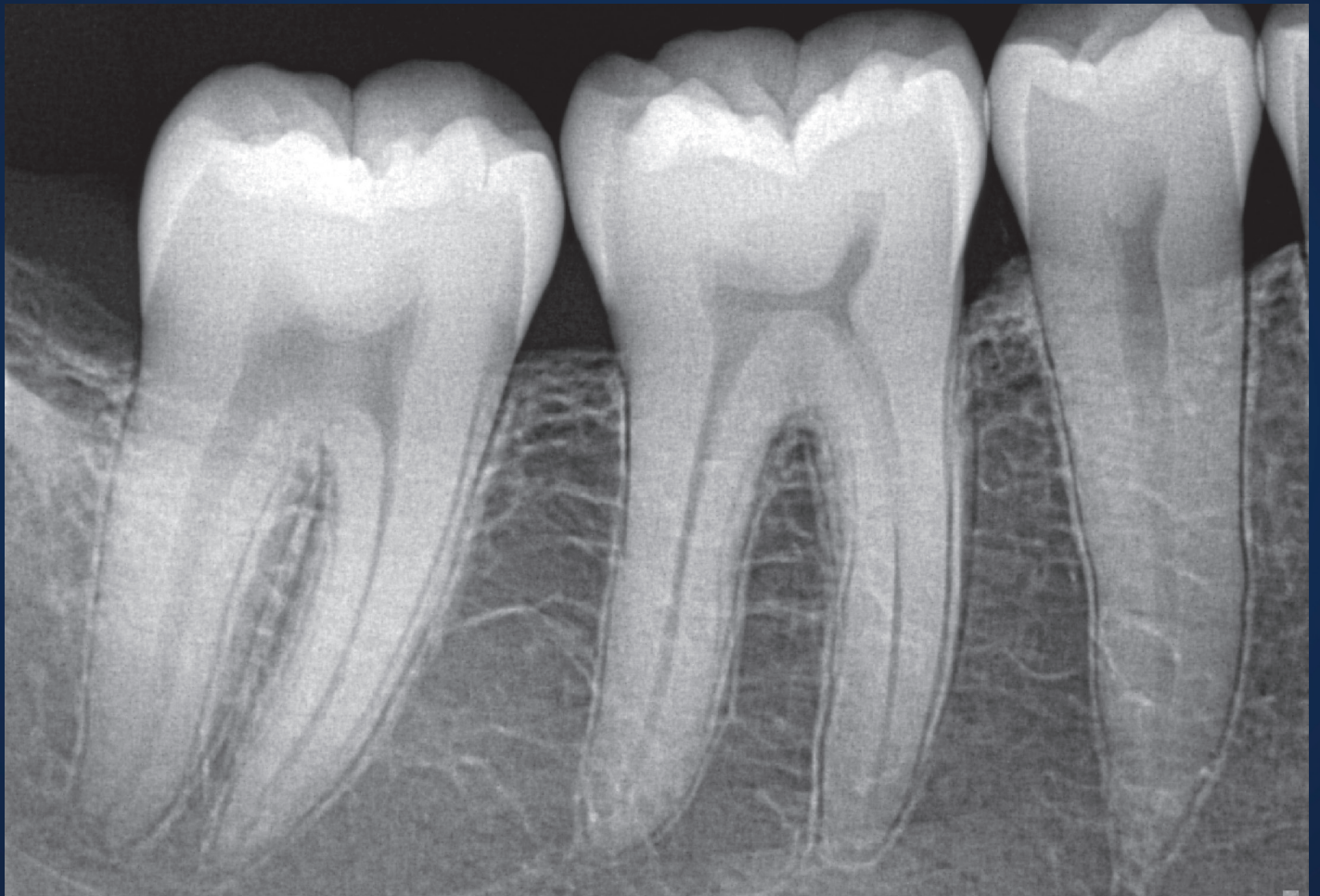
**Katrina Sanders RDH, Phoenix, AZ**

---

# Focus on exceptional image quality

Be it the sensors or X-Ray generators, the image quality from Dentsply Sirona's intraoral imaging portfolio speaks for itself. Using the lowest dose necessary according to the ALARA\* principle is just another reason why our intraoral X-rays are an excellent fit for your practice.

Through the combination of our intraoral X-ray products, from the X-ray generator to the positioning system, the benefits are endless and can take your practice to the next level.



Schick AE and Schick 33



Heliodent Plus



AimRight Positioning System

\*As Low As Reasonably Achievable

# The right solution for every workflow

Whether you're introducing digital technology to your practice or updating an already fully digital practice, Dentsply Sirona's intraoral products provides the opportunity to meet every dentist's individual needs with a customized solution tailored to their practice. From a small practice with a few operatories to a large practice or clinic, all products can be configured to fit your requirements and preference. This allows for a smooth integration into your daily workflow and optimum efficiency.



## AimRight Adhesive and AimRight Grip

With the AimRight positioning systems you get the ultimate support for accurate and simple image capture.



## Heliident Plus

The modularity of the X-ray generator, Heliident Plus, enables it to adapt to your practice's surroundings, forming the basis for optimum X-ray images and allowing quick and safe operation.



## Sidexis 4

Featuring a modern user interface and intuitive tools - Sidexis 4 is the new centerpiece of the Dentsply Sirona X-ray family.



## Schick AE and Schick 33

With the Schick intraoral sensors, you get X-ray images in HD quality and diagnostic-focused filter functions, in addition to a quicker and more flexible way of working.

# The highest degree of flexibility



### Sophisticated installation

The Heliident Plus offers a broad range of mounting options to allow for optimal configuration in each treatment room.



### Connectivity

The USB interface is more durable than a standard USB connection and supports optimized data transfer, ensuring your intraoral imaging is efficient and secure.



### Replaceable sensor cable

Multiple cable lengths and an easy-to-change cable help to provide flexibility in your workflow and extra security on your investment making sure you're never left without a sensor.



### Multiple sizes

Both the imaging plates and sensors are available in multiple sizes, enabling even greater customized solutions for an enhanced patient and treatment planning experience.

# Schick AE

The Advanced Exposure technology of the Schick AE sensor combines the outstanding resolution of 33 lp/mm\* with optimized data read-out and exclusive innovative filtering functions to maximize your diagnostic potential.



## Advantages:

- ▶ Superior image quality with dedicated diagnostic filtering
- ▶ Enhanced low-dose optimized dynamic range
- ▶ Dynamic sharpening slider for individual image enhancement
- ▶ Improved USB data transfer
- ▶ Easy cable exchange

## Multiple sensor sizes

Schick AE sensors are available in three different sizes:

**Size 2:** Adult bitewing and single tooth images

**Size 1:** Single tooth images for smaller adults, patients with a shallow palate and bitewings for larger children

**Size 0:** Pediatric images

## Various cable lengths

The choice of various cable lengths facilitates flexibility, regardless of the operatory size and configuration.

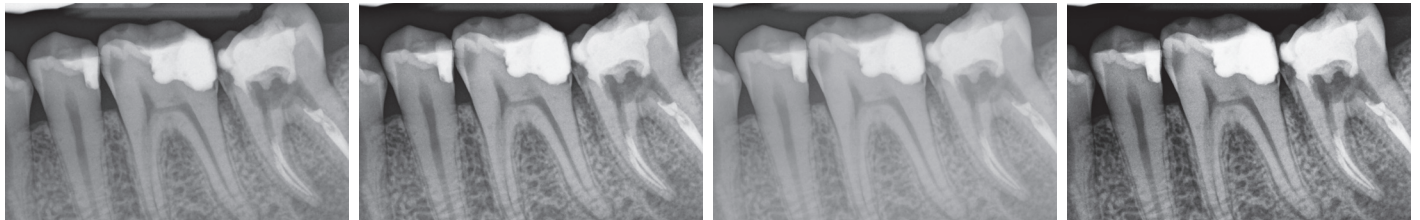
**Options:** 3 ft., 6 ft., 9 ft. cables



## Clinician preferred diagnostics

Schick AE sensors offer advanced filtering enhancements in order to highlight relevant anatomical structures to support an accurate and detailed diagnosis.

Low-noise images, improved visibility of details, and dedicated filtering in indications such as endodontic cases or tooth decay, provide a relevant advantage in diagnostic certainty.



General Dentistry

Endodontics

Periodontics

Restorative

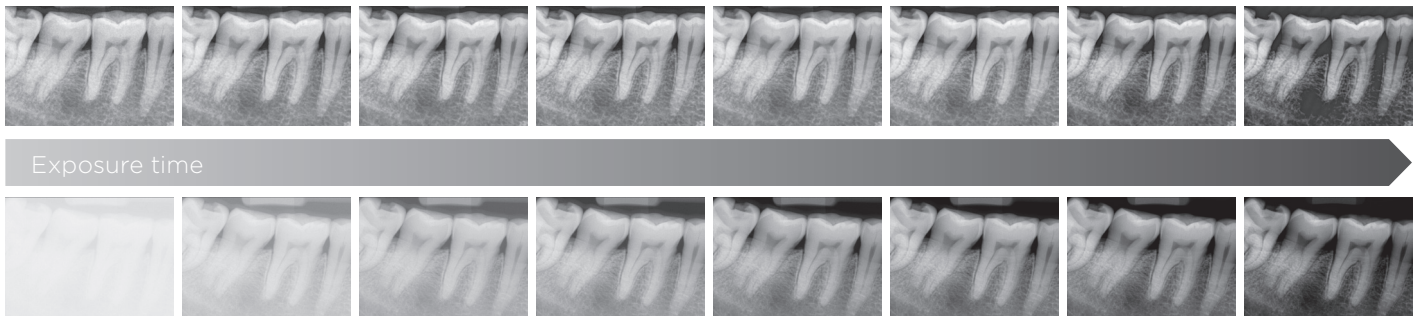
### Dynamic sharpening slider

To further optimize your image, you can use the dynamic sharpening slider to adjust the sharpness, with the option to also alter brightness and contrast. All it takes is a simple configuration and the images are examination ready - displayed to support your diagnosis and improve workflow efficiency.

### Enhanced dynamic range

Increased sensor sensitivity and an enhanced low-dose optimized exposure spectrum allow for optimal visibility and diagnostics at reduced exposure. Underexposed images are successfully counterbalanced, granting consistent image quality and dose flexibility.

Schick AE



Standard sensor

### USB connectivity

The use of Schick AE sensors in combination with the new USB 3 interface allows for accelerated information read-out and optimized data transfer. Protected connection plugs provide additional durability in daily practice use.



### In-office replaceable cable

In the event a cable is damaged, you can change it completely in-house within minutes. Replacing cables is as simple as loosening two screws, saving time and guaranteeing no lost productivity while protecting your investment. A spare cable is included with each Schick AE sensor purchase.



# Schick 33

With 33 lp/mm\* and a CSI scintillator, the Schick 33 sensor provides a reliable partner for any practice. High-quality images with the convenience of immediate availability on your computer for diagnosis.



*schick* 33

sirona.

## Advantages:

- ▶ Premium image quality
- ▶ Dynamic sharpening slider for individual image optimization
- ▶ Easy cable exchange

## Multiple sensor sizes



Schick 33 sensors are available in three different sizes:

**Size 2:** Adult bitewing and single tooth images

**Size 1:** Single tooth images for smaller adults, patients with a shallow palate and bitewings for larger children

**Size 0:** Pediatric images

## Various cable lengths

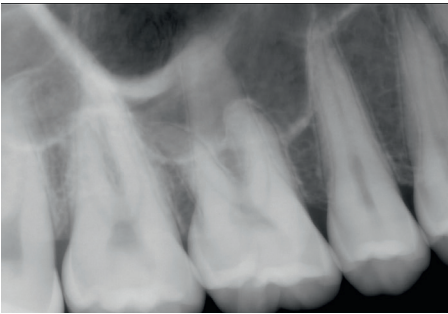
The choice of various cable lengths facilitates flexibility, regardless of the operatory size and configuration.

**Options:** 3 ft., 6 ft., 9 ft. cables



# Proven image sharpness

Outstanding image quality is just the beginning with Schick 33 intraoral sensors. The dynamic sharpening slider allows you to adjust your diagnostic settings in terms of sharpness. Additional slider options are available for modifications in brightness and contrast. After configuration, images are displayed in an efficient way to enhance your diagnostic capabilities, saving you valuable time. With just the click of your mouse, you get the right image for every treatment situation and ultimate clinical support.



0%



50%



100%

## Filtering enhancements

With Schick 33 sensors you have the option of five different filtering options: General Dentistry, Endodontics, Periodontics, Restorative and Hygiene. These clinically specific views are designed to optimize your diagnosis, enhancing the image to suit your needs.

## Connectivity

Ideal flexibility and security with the USB 3 interface, supporting a safe and proven workflow solution.

## In-office replaceable cable

In the event a cable is damaged, you can change it completely in-house and within minutes. Replacing cables is as simple as loosening two screws, saving time and guaranteeing no lost productivity while protecting your investment. A spare cable is included with each Schick 33 sensor purchase.



# Heliodent Plus

The Heliodent Plus intraoral X-ray unit allows for optimal functionality in every practice. The modularity of its installation options and its image quality surpass every expectation.



## Advantages:

- ▶ Safe and intuitive operation
- ▶ Flexibility with three optional arm lengths
- ▶ Remote functionality
- ▶ Robust quality ensuring durability and security of investment

## Smart design for stable positioning and ultimate image quality

Heliodent Plus offers a 0.4 mm focal spot and vibration-free components to ideally support your workflow.

## Intuitive and flexible

Significantly reduce obstacles with clear user options and numerous installation configurations, the Heliodent Plus provides a reliable partner for a truly flexible workflow – supporting the unique needs of your practice.

## Sophisticated installation

Thanks to its various installation options, the Heliodent Plus can be easily adapted to fit every X-ray situation, regardless of a room's dimensions or layout. Whether your unit is a wall model, ceiling mount, attached to the Dentsply Sirona treatment center or is a mobile unit, we provide options to support each unique workflow.



Wall model



Remote Control



Remote Timer



Manual release



Heliodent Plus on the treatment center



Heliodent Plus with mobile stand



Heliodent Plus with ceiling mount



Ceiling combination with LEDview Plus



20 cm standard cone



Round cone extension, 30 cm



Square cone extension, 30 cm

# AimRight Adhesive Positioning System

Maximize comfort and convenience without adding to sensor dimensions. Used in multiple configurations, this single-use system is suitable for all patients, regardless of oral cavity size or structure.



## Advantages:

- ▶ Disposable, for optimum hygiene
- ▶ Straightforward color coded system for ease of use
- ▶ Can be used with any sensor size or phosphor plate
- ▶ Supports accurate intraoral X-ray positioning for better image results

# AimRight Grip Positioning System

Featuring a universal aiming ring, unique integrated arm and holder design, this system makes assembly and repeatable positioning easy and straightforward.



## Advantages:

- ▶ Autoclavable for continuous support and use
- ▶ Straightforward color coded-system for ease of use
- ▶ Simple assembly and disassembly in between patients
- ▶ Supports accurate intraoral X-ray positioning for better image results



# Sidexis 4 software

The modern and highly intuitive imaging software supports clear diagnosis. With its award-winning user interface, Sidexis 4 promotes an accessible workspace and clear navigation, saving valuable practice time and allowing for optimal patient communication.



## Simplify your digital workflow

Even the best hardware is only truly optimized when paired with the proper software solution. Schick sensors and Sidexis 4 seamlessly integrate to provide ultimate diagnostic support in your practice. With tools such as the dynamic sharpening slider and the clinically specific enhanced filtering options, your images are ready to support your treatment evaluation.

### ▶ Integrated Workflows

Sidexis 4 can be easily integrated into your practice and intuitively operated. The software also offers additional possibilities beyond image diagnosis, keeping your practice equipped for growth and opportunity.

### ▶ Modern, intuitive design

Sidexis 4 offers a completely new, updated look. Beyond the impressive aesthetics, it boasts an intuitive operating approach and clear design. The new Timeline function also offers you an easy-to-navigate patient diagnosis and treatment history.

### ▶ Seamless 2D/3D

With Sidexis 4, you can view 2D and 3D data simultaneously side by side without switching between programs. This saves you valuable time and cross-comparisons provide you with increased confidence in your final diagnosis and treatment plan.

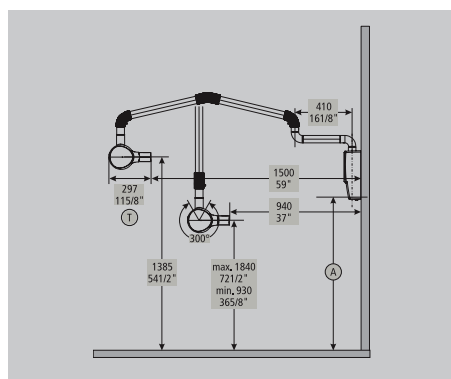
### ▶ Compare

Sidexis 4 compares two CBCT images or up to four 2D images simultaneously. For example, you can navigate through both volumes at the same time, obtain cross-comparisons at a glance and provide clear patient communication and case presentation.

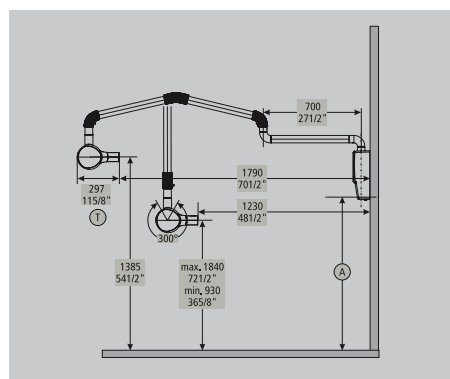


# Technical data

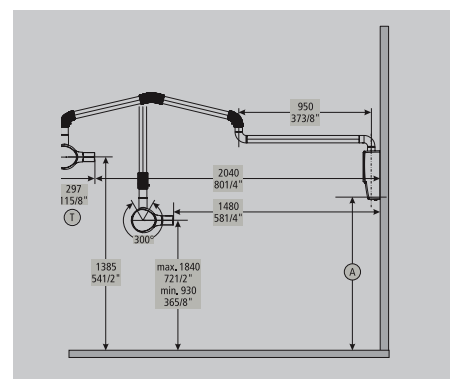
Heliodent Plus	
Generator type	High-frequency generator for constant high voltage
Tube voltage	Adjustable between 60 kV and 70 kV
Tube current	7 mA
Focal spot	0.4 (IEC 336)
Line voltage	120-240 V ± 10 % without switching, 50/60 Hz
Exposure time	Incrementally adjustable from 0.01 to 3.2 s
Detector media	Preset for film and Schick AE and Schick 33 sensors, exposure times can be individually adjusted, also for imaging plates and other sensor systems
Display	Multicolored display to show the different system states
Focus-to-skin distance	Standard 20 cm, optional 30 cm
Available installation options	Wall-mounted installation with three arm lengths, model mounted on treatment center, installation with manual release, remote control or remote timer, ceiling model, ceiling combination with LEDview, mobile model



Heliodent Plus, medium support arm\*



Heliodent Plus, long support arm\*



Heliodent Plus, extra long support arm\*

Schick AE	
<b>Sensors</b>	
Sensor 0: Active surface	18 mm x 24 mm
Sensor 0: Overall dimensions	23.1 mm x 31.6 mm x 8.2 mm
Sensor 1: Active surface	20 mm x 30 mm
Sensor 1: Overall dimensions	25.1 mm x 37.6 mm x 8.2 mm
Sensor 2: Active surface	25.6 mm x 36 mm
Sensor 2: Overall dimensions	30.7 mm x 43.7 mm x 8.2 mm
Physical pixel size	15 μ
Measured resolution	28 lp/mm
Theoretical resolution	33 lp/mm
Sensor cable length	3 ft., 6 ft. and 9 ft.
<b>USB interface</b>	
USB port of USB interface	USB 3
Power supply	USB port

Schick 33	
<b>Sensors</b>	
Sensor 0: Active surface	18 mm x 24 mm
Sensor 0: Overall dimensions	23.6 mm x 32 mm x 7.5 mm
Sensor 1: Active surface	20 mm x 30 mm
Sensor 1: Overall dimensions	25.4 mm x 38.3 mm x 7.5 mm
Sensor 2: Active surface	25.6 mm x 36 mm
Sensor 2: Overall dimensions	31.2 mm x 43 mm x 7.5 mm
Physical pixel size	15 μ
Measured resolution	28 lp/mm
Theoretical resolution	33 lp/mm
Sensor cable length	3 ft., 6 ft. and 9 ft.
<b>USB interface</b>	
USB port of USB interface	USB 3
Power supply	USB port

\* Exact dimensions of installation in the installation requirements



# PC Requirements

## Requirements for Sidexis 4

Specification for one server and an unlimited number of workstations.

	<b>Sidexis 4 Server</b>	<b>Min. for 2D Workstation</b>	<b>Min. for 3D Workstation</b>
Operating system*	Windows Server 2012 R2 Windows Server 2016 Windows Server 2019	Windows 8.1 Pro (64 bit) Windows 10 Pro (64 bit)	Windows 8.1 Pro (64 bit) Windows 10 Pro (64 bit)
CPU	≥ 2.3 GHz QuadCore Processor with 64 bit (x64)	≥ 2 GHz DualCore	≥ 2.3 GHz QuadCore Processor with 64 bit (x64)
RAM	≥ 8 GB	≥ 4 GB	≥ 8 GB
Graphic card	any	any	any
DirectX	DirectX 10 with WDDM 1.0 or higher driver	DirectX 9.0c	DirectX 10 with WDDM 1.0 or higher driver

\* For 64-bit operating systems, installation under Boot Camp is also approved.

**Dentsply Sirona**

Dentsply Sirona Academy  
13320-B, Ballantyne Corporate Pl, Charlotte, NC  
28277, USA

**Procedural Solutions**

Preventive  
Restorative  
Orthodontics  
Endodontics  
Implants  
Prosthetics

**Enabling Technologies**

CAD/CAM  
Imaging  
Treatment Centers  
Instruments

---

Healthy Practices.  
Healthy Smiles.

