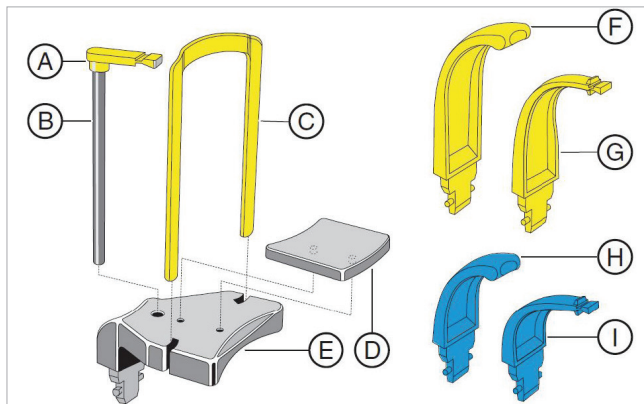


# Extra-oral Imaging

## Axeos and Orthophos units

### Bite Blocks



1888887 | Bite block (10 pcs) (A)

1888895 | Rod for bite block (5 pcs) (B)

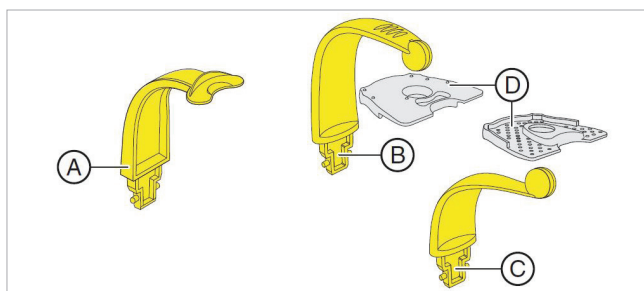
5961461 | Bar for chin rest (C)

1449227 | Chin rest (D)

5981472 | Chin rest complete

5 x A, 1 x B, C, D, protective sleeves for bite block (500 pcs) (E)

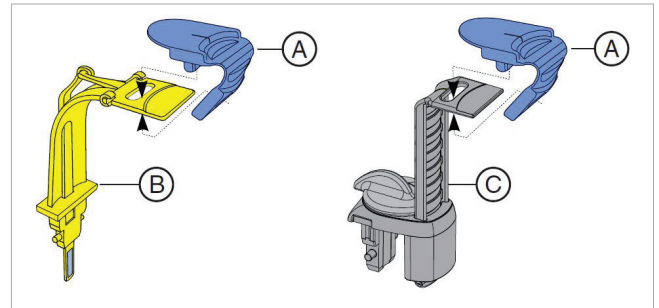
6331735 | Bite Block Set (4pcs) Includes one of each of all four bite block types (F,G,H,I)



6134949 | GALILEOS/XG3D bite block (5 pcs) (A)

6150226 | Spherical mandibular bite block (with symbol for LJ) (1 pc) (B)

6150218 | Spherical maxillary bite block (with symbol for UJ) (1 pc) (C)



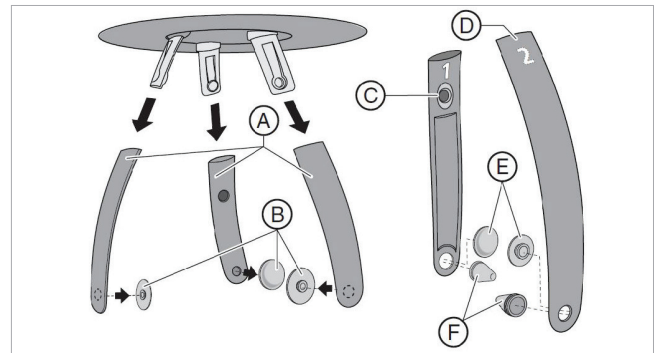
6141449 | Bite block foam (100 pcs) (A)

6211143 | Occlusal bite block (B)

6141431 | Universal bite block (C)

6299759 | Template Holder for Model and Denture Scan

### Temple, Forehead and TMJ Supports for Orthophos XG



5980383 | Forehead support and temple supports (1 set) (A)

6485010 | Contact pads for forehead and temple supports (1 set) (B)

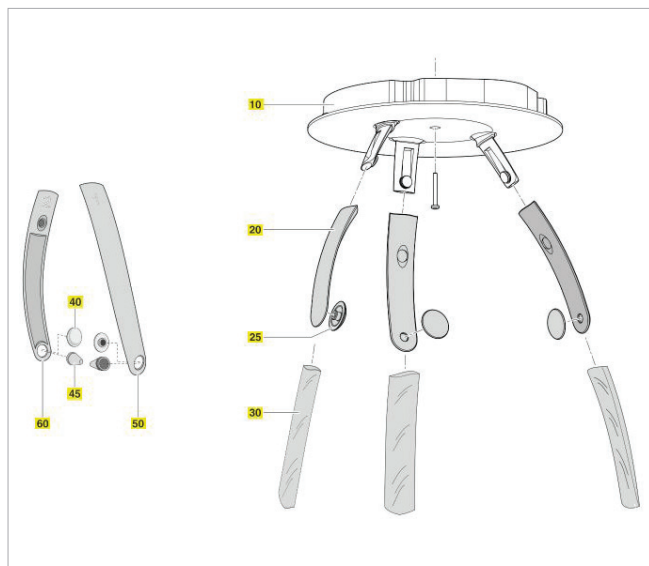
6484112 | Temporomandibular joint support 1 for temporomandibular joint exposures (C)

6485002 | Temporomandibular joint support 2 for temporomandibular joint exposures (D)

5990648 | Contact pads for temporomandibular joint supports (10 pcs) (E)

1888838 | Ear holders for temporomandibular joint supports (10 pcs) (F)

## Temple, Forehead and TMJ Supports for Orthophos SL and Axeos



6484989 | Headrest Support (1 pc) (20)

6485010 | Button (10 pcs) (25)

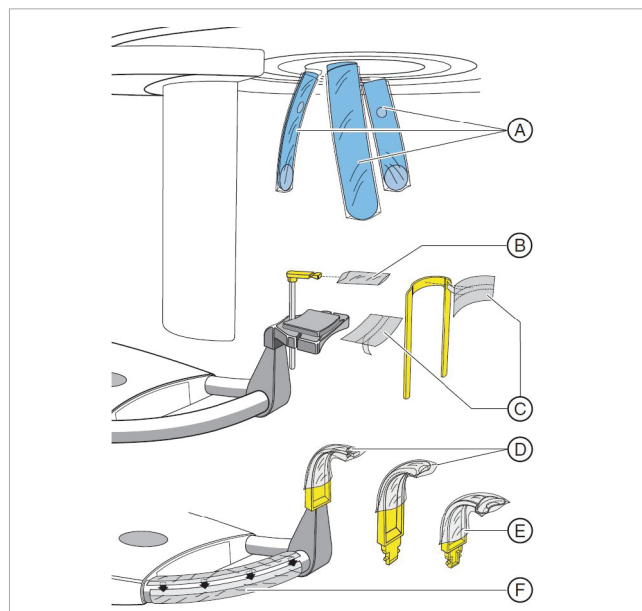
6484997 | Temporomandibular joint support 1 for temporomandibular joint exposures (50)

6485002 | Temporomandibular joint support 2 for temporomandibular joint exposures (60)

5990648 | Contact pads KG (10 pcs) (40)

1888838 | Ear olives (10 pcs)

## Hygienic Protective Sleeves



5968263 | For forehead support and temple supports (500 pcs) (A)

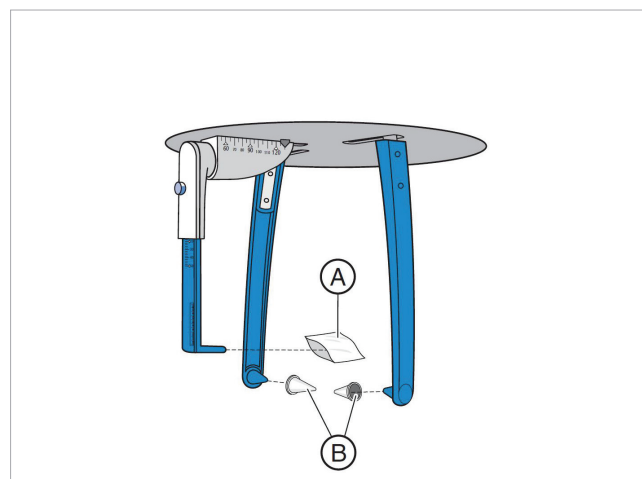
3314072 | For bite block, dimensions 43 x 21 mm (500 pcs) (B)

5932603 | For chin rest and bar (100 pcs) (C)

3314080 | For bite blocks and contact segments (500 pcs) (D)

6127745 | Hygienic cover for 3D bite blocks (500 pcs) (E)

5968255 | Protective film for handles (F)



8932261 | Protective caps for ear plugs, reusable device (20 pcs) (B)