

Treatment Centres

Protective Barriers

Plastic Barriers and Coverings

Disposa-Shield™

Disposable covers for dental equipment to help prevent cross-infection. Disposa-Shield resist tearing; for those who don't want to take risks with infection control. Disposa-Shield Infection Control Barriers.

65090001 | Disposa-Shield No.1 (box 1000)

Size: 10.2 x 15.5 cm adhesive sheets
Tape for light handles, control panels and switches

65090002 | Disposa-Shield No.2 (box 250)

Size: 44.5 x 5.5 cm tube
Suitable for air motors and air/water syringe

65090003 | Disposa-Shield No.3 (box 250)

Size: 44.5 x 4.5 cm tube
Suitable for tubing, turbines and Cavitron® handpieces

65090004 | Disposa-Shield No.4 (box 250)

Size: 30 x 23.5 cm bag
Suitable for chair headrests and X-Ray heads

A880095 | Disposa-Shield Tube Long (box 175)

Size: 61 x 5.1 cm
For Dental Hoses

A880105 | Disposa-Shield Chair Back (box 150)

Size: 38.1 x 71.1 cm (expands to 71.1 x 71.1 cm)
Universal Chair/X-Ray Head

A88013 | Disposa-Shield Straight Handpiece Small (box 500)

Size: 19.1 x 3.5 cm
For use with standard syringe type delivery systems

A88008 | Disposa-Shield T-Bar Light Handle Bag (box 500)

Size: 8.9 x 17.15 cm
T-Bar Type Light Handle Cover

A880065 | Disposa-Shield PS Light & Straight HP (box 500)

Size: 19.5 x 3.5 cm tube
Suitable for SmartLite® PS and straight Handpiece

A88016 | Disposa-Shield Head Rest Square (box 250)

Size: 33 x 33 cm
Head Rest Cover

A88014 | Disposa-Shield Dental Tray Small (box 500)

Size: 26.7 x 36.8 cm
Tray Cover Small

A88015 | Disposa-Shield Dental Tray Large (box 500)

Size: 30.4 x 43.2 cm
Tray Cover Large

A88005 | Disposa-Shield Contra Angle Handpiece (box 500)

Size: 16.8 x 5.7 cm
For Low-Speed

A88007 | Disposa-Shield Air/Water Syringe (box 500) Size:

16.8 x 5.7 cm
Air/Water Syringe Cover

Silicone Light Handles

Silicon Light Handle Sleeves



6497353 | Silicon Light Handle Sleeves 2 x per packet

Silicon sleeves for light handles for LED Light LED View Plus
Able to be sterilised

Camera Sheaths

Camera Sheaths



6679802 | UAF Plus Sheath - (box of 300)

DSH0004 | Iris Camera Sheaths (box of 500)

B6310120 | Schick USB 2 Camera Sheaths (box of 500)

5914705 | SiroCam C Camera Sheaths (box of 500)

5938654 | SiroCam 3, F, AF & AF+ Camera Sheaths (box of 500)

Dentist Element Tray Top

Autoclavable Silicone Parts for Dentist Element

Listing	Description	Part #
10	Silicon Mat	6417773
15	Silicon Handles	6450857

5910109 | Silicone Pad for Removable Tray Large

5910117 | Silicone Pad for Removable Tray Small

6669548 | Silicone Pad for Axano Dentist Element

6647478 | Silicone Pad for Axano Assistant Element

6190289 | Silicone Pad for Teneo Dentist Element

6182773 | Silicone Pad for Teneo Assistant Element

6307701 | Silicone Pad for Sinius Dentist Element

6417773 | Silicone Pad for Intego / Intego Pro Dentist Element

Parts for Suction Systems

Disposable Suction Tips Saliva Ejectors



254930 | Dentsply Sirona Saliva Ejectors
Disposable saliva ejector (pk 100)

254932 | Hygosurge autoclavable/disposable angled
Ejector tips (pk 25)

HVE Suction Tip



ASP12W | Aspirator tubes (pk 100) ASP12WV |
Aspirator tubes, vented (pk 100)

Purevac High Volume Evacuation



11000 | Purevac HVE System Kit
Includes HVE Hose Adaptor required for 11mm HVE openings
and 3x HVE Mirror Tips

11010 | Purevac HVE FS Rhodium Mirror Tips (3x)

11020 | Purevac HVE FS Rhodium Mirror Tips (12x)

Reusable Suction Tips Durr 16mm HVE Cannulas



D0700-059-54 | Durr HVE Autoclavable Cannula Blue (pk 5)

D7600A020-03E | Durr HVE Autoclavable Cannula Grey (pk 3)

7600S020-03E | Durr HVE Autoclavable Cannula Black (pk 3)

D0700-058-50 | Durr HVE Autoclavable Cannula Prophylaxis
Grey (pk 4)

D0700-056-50 | Durr HVE Autoclavable Cannula Petito Grey
(pk 5)

Surgical Suction Tip



5914668 | Dentsply Sirona Surgical Suction Tip

Suction Hose Adaptors

Mirasuc Adapter White 11/16 mm Adaptor for Intego, Sinius & Teneo

6714732 | Mirasuc 11/16 mm Adaptor for
Intego Pro & Sinius & Teneo

For HVE (High Volume Evacuation) Suction
Hose
Add to HVE to reduce the opening to use HVE
Suction tip



Durr 16 mm Suction Hose adaptor for Intego Pro

D7600A010-04 | Durr 16 mm Suction Hose
adaptor for Intego

For HVE (High Volume Evacuation) Suction Hose
Add to HVE to reduce the opening to use HVE
Suction tip



Cattani 17 mm Reducer for Sinius & Teneo

C16-HVE | Cattani 17 mm Reducer for Sinius &
Teneo

For HVE (High Volume Evacuation) Suction Hose
Add to HVE to reduce the opening to use HVE
Suction tip



Cattani 17 mm Adaptor for Intego, Sinus & Teneo

C15-SE | Cattani 17 mm Adaptor for
Intego Pro, Sinius & Teneo

Convert your HVE to LVE, this adaptor
can reduce the opening to use a saliva
ejector



Durr Y Adaptor

D7600010040 | Durr 11 mm Y Adapter
Set (HVE Cannula, Adaptor and Plug)

For practitioners working on their own. Can be utilised with
most saliva ejectors, suitable for most Durr HVE Cannulas

D2106-170-00 | Durr Y Adapter Direct Connector

D7600010042 | Durr Plug Y Adapter 11 mm



Treatment Centre Water Filter

i3 Sterile Filter System

i3FOUR | kit Biodegree i3Four Inline Installation Set

i3FOUR | Inline Filter Replacement

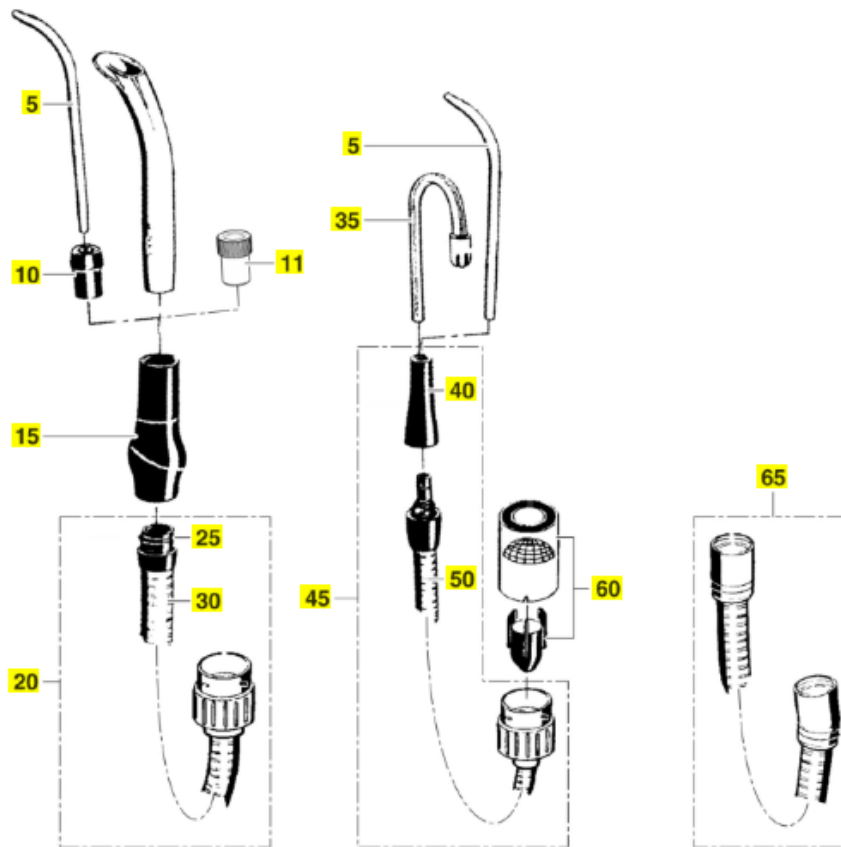
For installation inside the treatment centre
to further reduce bioburden impact



Spare Parts for Axano/Axano Pure Suction Systems

Axano/Axano Pure Parts

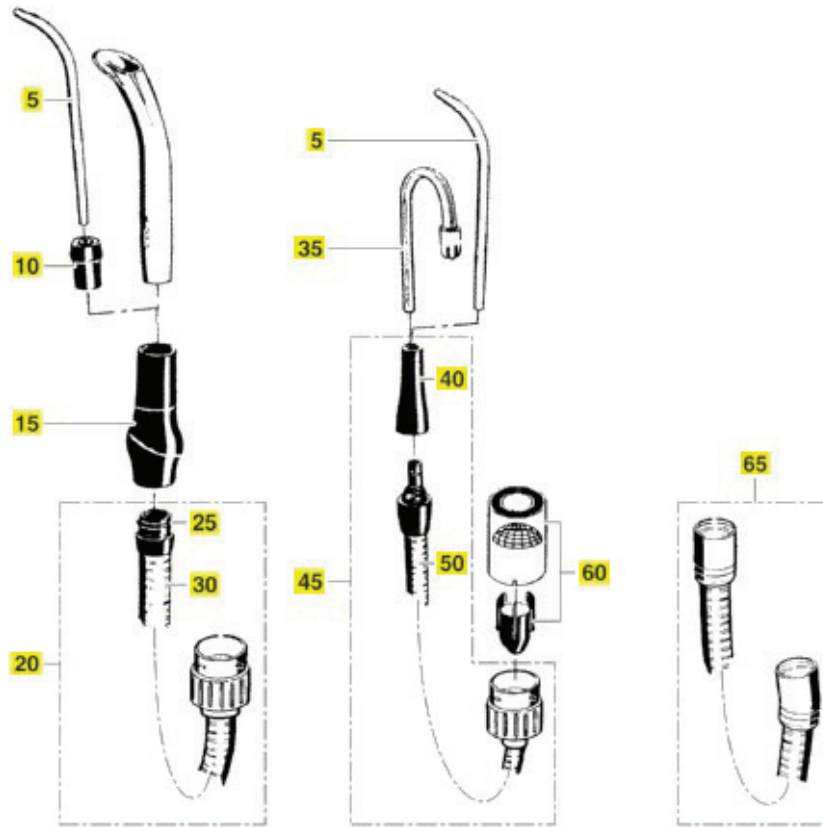
Suction Hoses and Adaptors



Listing	Description	Part #
5	Surgical Tip	5914668
10	Sleeve	5950084
15	Suction Hand piece	1894802
20	Suction Hose Complete - HVE	6766237
25	O-ring	7047160
30	HVE Hose	8929861
35	Salivary Ejector	5866868
40	LVE Adaptor	5911578
45	Suction Hose Complete - LVE	1894836
50	LVE Hose	5954318
60	Filter	1894851
65	Connecting Hose	6729748

Spare Parts for Teneo/Sinius Suction Systems

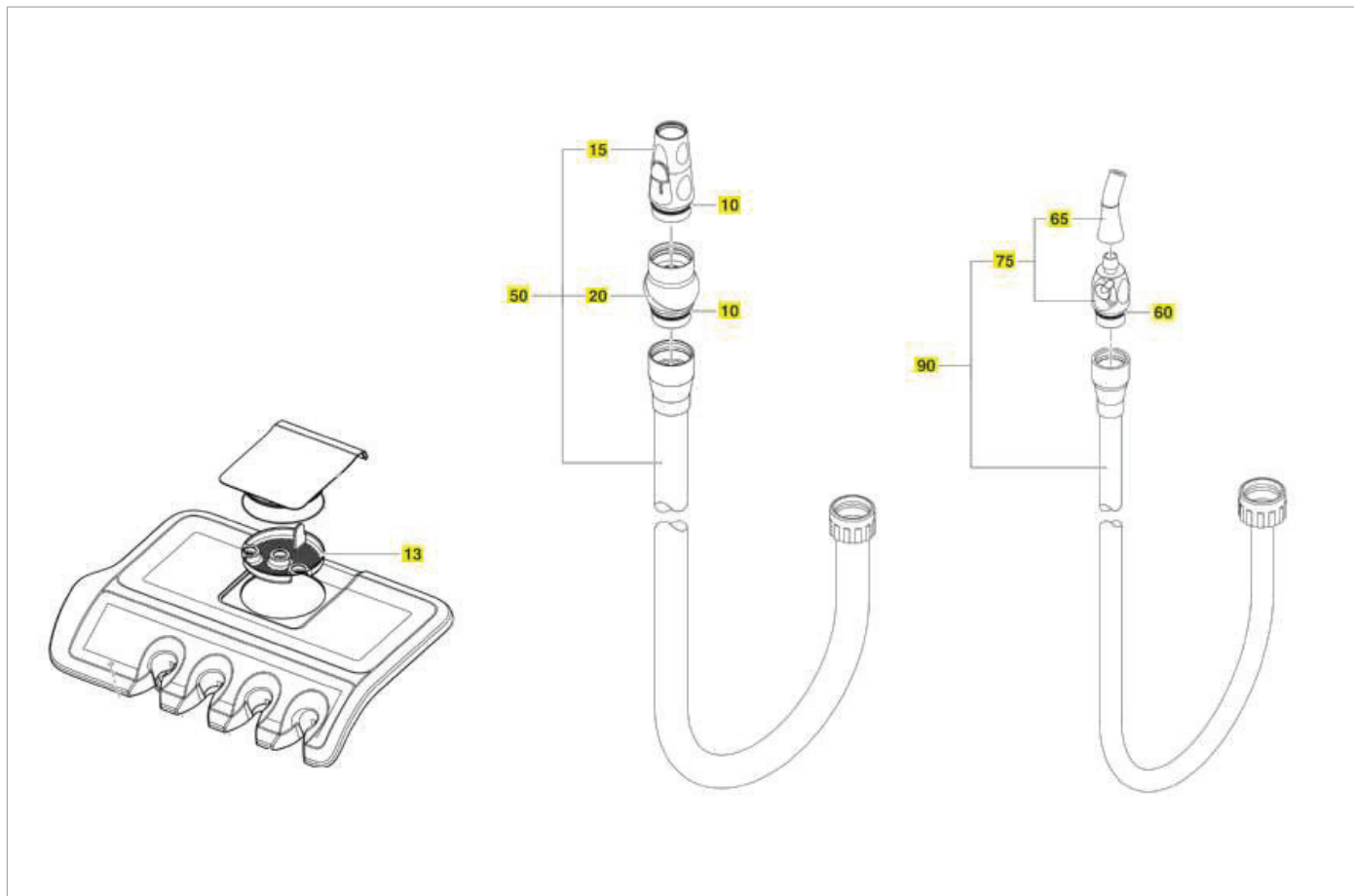
Teneo & Sinius Parts Suction Hoses and Adaptors



Listing	Description	Part #
5	Surgical Tip	5914668
10	Sleeve	5950084
15	Suction Hand piece	1894802
20	Suction Hose Complete - HVE	1894810
25	O-ring	7047160
30	Hose	8929861
35	Salivary Ejector	5866868
40	LVE Adaptor	5911578
45	Suction Hose Complete - LVE	1894836
50	Hose	5954318
60	Filter	1894851
65	Connecting Hose	1436638

Spare Parts for Intego/Intego Pro Suction Systems

Intego / Intego Pro Parts Dental Assistant Tray & Suction Hoses



Listing	Description	Part #
13	Course Filter	6681949
10	O-ring	7052384
15	Suction Hand piece	5957795
20	Ball Joint	5957811
50	HVE, Complete	6458959
60	O-ring	5971929
65	Cannula adapter	D7600A020-03E
75	Suction Hand piece Small	5957803
90	Saliva ejector complete	6458967

Parts for Air/Water Syringe Systems

Disposable Triplex Tips

Sani-Tip® (Adaptor Required)

The Sani-Tip disposable air/water syringe system is made up of disposable plastic tips, disposable plastic sleeves (Sani-Shields®), as well as a triplex syringe adaptor.

Sani-Tip disposable tips deliver dry air and minimises the risk of cross-infection from the triplex syringe tip. The clear plastic tips do not obstruct view, are quick to install and change and can be bent to 140° without losing function.



Cross Infection Control

- No suck-back concerns with a disposable tip
- Sani-Shield barriers provide additional barrier protection for the syringe

Dry air

- The patented adapter design guarantees dry air every time
- Separate air and water channels also help to keep the air dry

Sani-Tip® Refills

Disposable tips are available in two lengths to suit your Triplex syringe.

Each pack contains 250 tips and 250 shields.

122218 | Sani-Tip Mini, 57 mm (pk 250)

122210 | Sani-Tip Standard, 76 mm (pk 250)

Sani-Shield®

Disposable plastic sleeves

Note: each pack of tips contains sleeves.

130010 | Sani-Shield Air/Water Syringe Sleeves (pk 250)

Sani-Tip® O-rings



120091 | Sani-Tip O-Ring P1 #7

120094 | Sani-Tip O-Ring P1 #4

120105 | Sani-Tip O-Ring P1 #6

Sani-Tip® Adaptors

Sani-Tip adaptors are available for most common triplex systems and only need to be fitted once to allow the disposable tips to then be used.

122220N | (A) Adec

122290N | (B) Belmont

122230N | (E) Engle

122263N | (F) F3

122275N | (K) K3

122276N | (K) K4

122320N | (L) Luzzani

122330N | (M) M1

122280N | (P) P DCI

122250N | (S) Siemens

122251N | (SL2) SL2/Sprayvit

FASTips® (No Adaptor Required)

FASTips minimises the risk of patient to patient cross infection associated with re-usable Triplex tips. They also save time spent on sterilisation and deliver dry air. Combine FASTips with Sani-Shield sleeves for cross-infection protection.

12250301 | FASTips (250 tips)

130010 | Sani-Shield (250 sleeves)

Reusable Triplex Tips

Dentsply Sirona Metallic Syringes



6046325 | Sirona 3-way Metal Syringe (pk 5)

Sprayvit



5926477 | Sprayvit tips

Long, curved, with light, metal insert

5992180 | Sprayvit tips

Long, curved, with light, plastic insert

5992206 | Sprayvit tips

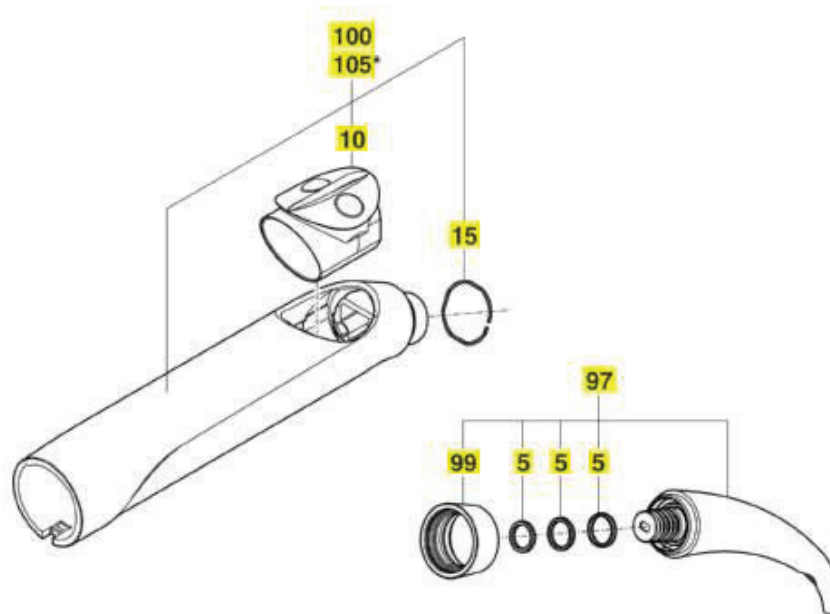
Long, curved, w/o light

6541226 | Sprayvit tips (pk 6)

Long curved, with light, plastic insert

Sprayvit Spare Parts

Sprayvit E



Listing	Description	Part #
5	O-ring	7050958
10	Key Board Membrane - Blue	6321728
15	Spring	3327363
97	Sprayvit Nozzle without Light	5992206
99	Ring	4178682
100	Handle for water on (Right Hand Side)	6002178

Parts for Ultrasonic Scaler Systems

Sirosonic



5913517 | Sirosonic Handpiece, without Light

For C Range Treatment Centres: Includes 1x No. 3L + 1x No. 4L Tip

5913509 | Sirosonic L Handpiece, with Light

For Intego/Intego Pro Treatment Centres: Includes 1x No. 3L + 1x No. 4L Tip

6562834 | Set of Sirosonic L Handpieces (pk 2)

For Intego/Intego Pro Treatment Centres

6212216 | Sirosonic TL Handpiece, with Light

For Sinius/Teneo Treatment Centres includes 1x No. 3L + 1x No. 4L Tip

6562842 | Set of Sirosonic TL Handpieces (pk 2)

For Sinius/Teneo Treatment Centres

Ultrasonic Scaling Tips

Scaling tips for SiroSonic C8/L, SiroSonic/L, SiroSonic TL, PerioSonic, incl. torque wrench

Supragingival



8924250 | Instrument No. 1L

For initial scaling, lingual and buccal



8924268 | Instrument No. 2L

Versatile applications, lingual, buccal and proximal



1894455 | Instrument No. 3L

Universal bilateral applications, subgingival and interdental



6541044 | Set instrument No. 3L (6 pcs)

Universal bilateral applications, subgingival and interdental



1894463 | Instrument No. 4L

Universal applications, especially suitable for supra- and subgingival tooth surfaces as well as for the interdental region.



6541051 | Set instrument No. 4L (6 pcs)

Universal applications, especially suitable for supra- and subgingival tooth surfaces as well as for the interdental region

Perio Tips



5950246 | SiroPerio Set

SiroPerio 1 - 3



6044825 | SiroPerio PE 1

Straight, slender, for rinsing and scaling roots in deep gingival pockets



6044833 | SiroPerio PE 2

Curved right, for scaling roots in deep gingival pockets in the posterior region



6044841 | SiroPerio PE 3

Curved left, for scaling roots in deep gingival pockets in the posterior region



6177005 | SiroPerio 4 PS

Straight, for diagnostic function and scaling roots in deep gingival pockets with PerioScan



6343078 | SiroPerio PE 5

Curved right, for scaling roots in deep gingival pockets in the posterior region



6343086 | SiroPerio PE 6

Curved left, for scaling roots in deep gingival pockets in the posterior region

Retrograde Tips



5457929 | SiroRetro Set

SiroRetro KR, KL, GR, GL



5457895 | SiroRetro KR

Short, angled to the right for the left lower jaw or the right upper jaw



5457887 | SiroRetro KL

Short, angled to the left for the right lower jaw or the left upper jaw



5457911 | SiroRetro GR

Large, angled to the right for the left lower jaw or the right upper jaw



5457903 | SiroRetro GL

Large, angled to the left for the right lower jaw or the left upper jaw

Implant Cleaning Tip



6343052 | SiroImplant IP 1

Incl. Insert IP 1 (5 pcs), knurled bush and endo key (REF 18 95 080)

6343094 | Insert IP 1

Contents 5 pcs

Micropreparation Tips

5950253 | SiroPrep Set
SiroPrep M1, D1, M2, D2



5904276 | SiroPrep M1
Mesial, small



5947309 | SiroPrep D1
Distal, small



5947358 | SiroPrep M2
Mesial, standard



5947366 | SiroPrep D2
Distal, standard

Cementation tip



1894307 | CEM-Set No. 6L
For inserting ceramic inlays with thixotropic composites, consisting of 1 CEM tip No. 6L, 2 contact caps for inlays and 1 torque wrench

Ultrasonic Scaler Accessories

6006196 | Torque wrench blue



6314558 | Dentsply Sirona LED

For the BL/BL E and BL ISO motors (not the BL ISO C/E/S motors) as well as the SL/SL ISO and EL1 motors; compatible with the brown and green halogen lamps. The LED can be used in the following Dentsply Sirona treatment centres: M1-90, M1-94, M1-96, Siro

5940291 | Lamp (brown)

For Sprayvit L

2400232 | Cleaning wire

1894372 | Contact cap

For CEM tip No. 6L 10 pcs for inlays

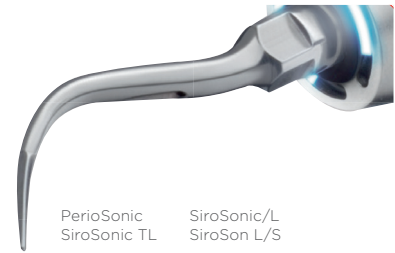
6002286 | Sprayadapter L

SiroSonic /L, SiroSonic/L for the application of externally supplied special rinsing fluid

6141852 | Sprayadapter SiroSonic TL

For the application of externally supplied special rinsing fluid, also suitable for PerioSonic

Check Card for Tips



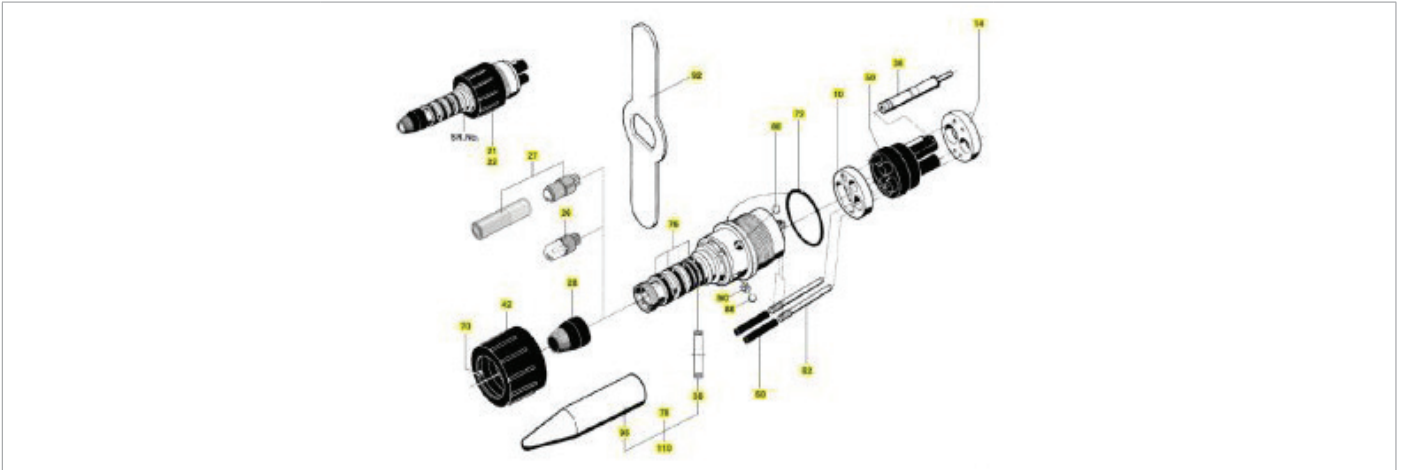
PerioSonic
SiroSonic TL

SiroSonic/L
SiroSon L/S

5455667 Tip Card

Checkcard for Siosonic Tip length

Spare Parts for Dentsply Sirona Highspeed Coupling



Listing	Description	Part #
22	Sirona Quick Connect Connect Coupling R	6319706
26	Halogen Lamp, Brown	5940291
27	Sirona LED	6314558
28	Metal Screw Cap	6819614
76	O-Rings 10x	7048788

Oils and Lubricant

Handpiece Oil



5901665 | T1 Spray (250ml)

For use with all Dental Handpieces and Sprayvit Tips - requires cap for handpiece type, comes with cap for chuck head.

8917858 | Spray Cap for ISO Connection (Electric Motors)

5941802 | Spray Cap for Dentsply Sirona Connection

5456970 | Spray Cap for Roto Quick Connection (W&H)

5829796 | Spray Cap for Unifix Connection (Bien Air)

5867911 | Spray Cap for Mach/Phatelus Connection (NSK)

5862243 | Spray Cap for QD-J Connection (NSK)

5456954 | Spray Cap for Multiflex LUX (Kavo)

7036353 | Spray Cap O-Ring

Lubricant for O-Rings

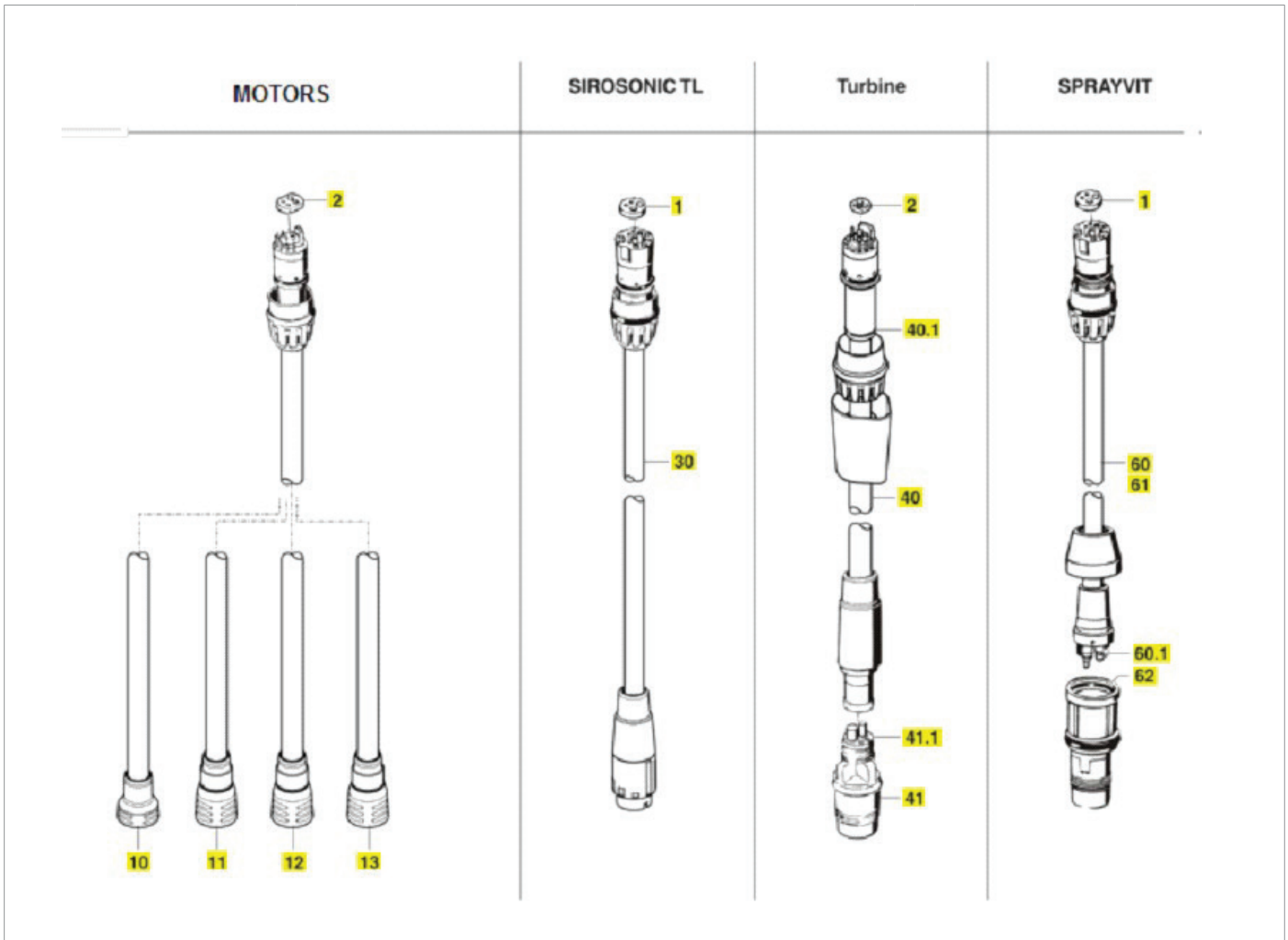


6501261 | Pro AA Grease 8gm

DO NOT USE on Sprayvit Tips or handpiece O-rings- use T1 handpiece oil.

Dentist Element Hoses

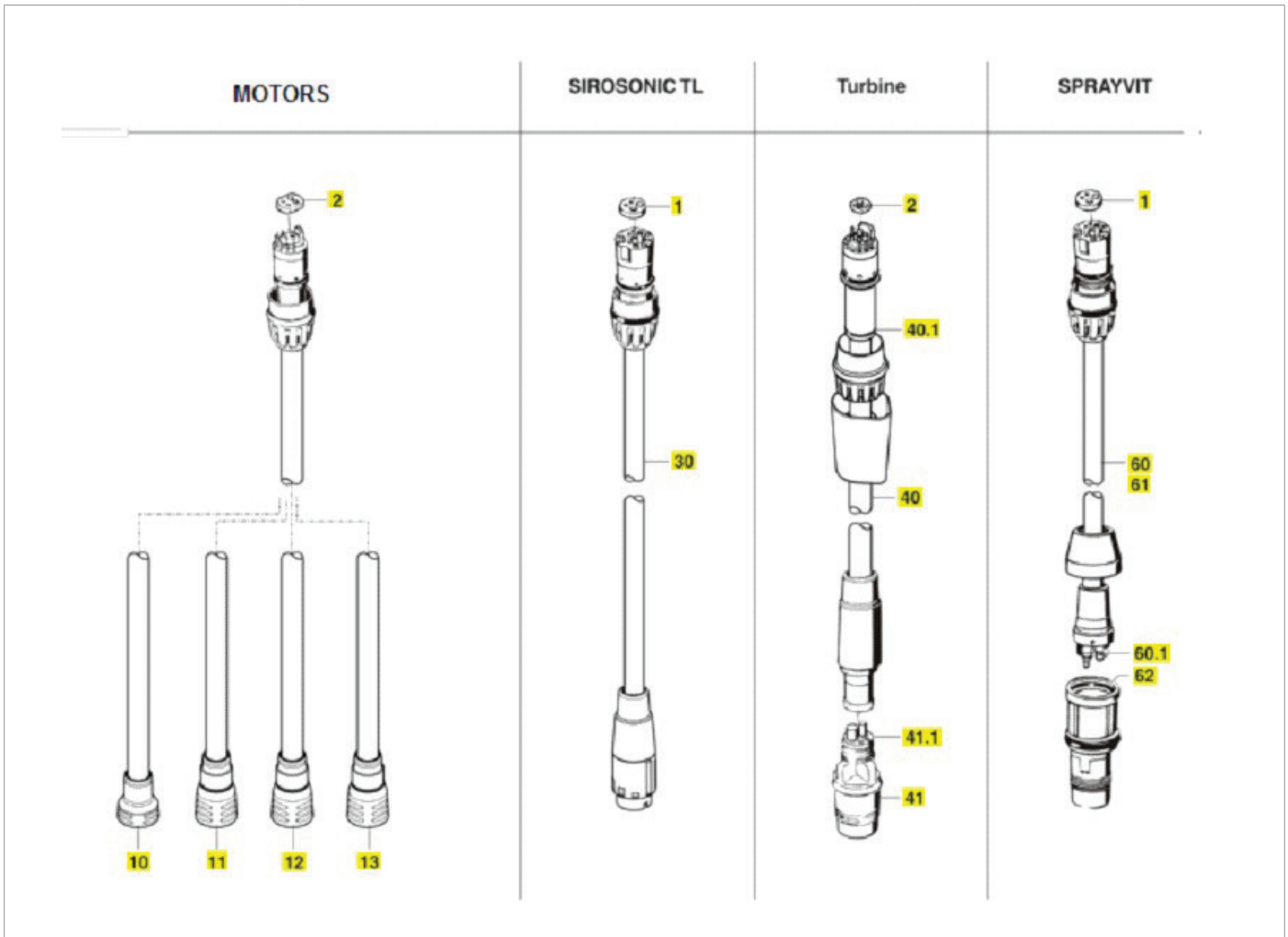
Hoses for Axano/Axano Pure Dentist Element Hoses



Listing	Description	Part #
1	Gasket	8928269
2	Gasket	5940259
10	Hose BL Implant	6655083
12	Hose BL ISO C	6336700
30	Sirosonic TL Hose	6663822
40	Turbine Hose	6659077
60	Sprayvit Hose	6321686
40.1	O-Ring 11.5cm x 1.0cm	7047236
60.1	O-Ring 2.2cm x 1.cm	1891303
62	O-Ring 18.0cm x 2.0cm	7052384

Dentist Element Hoses

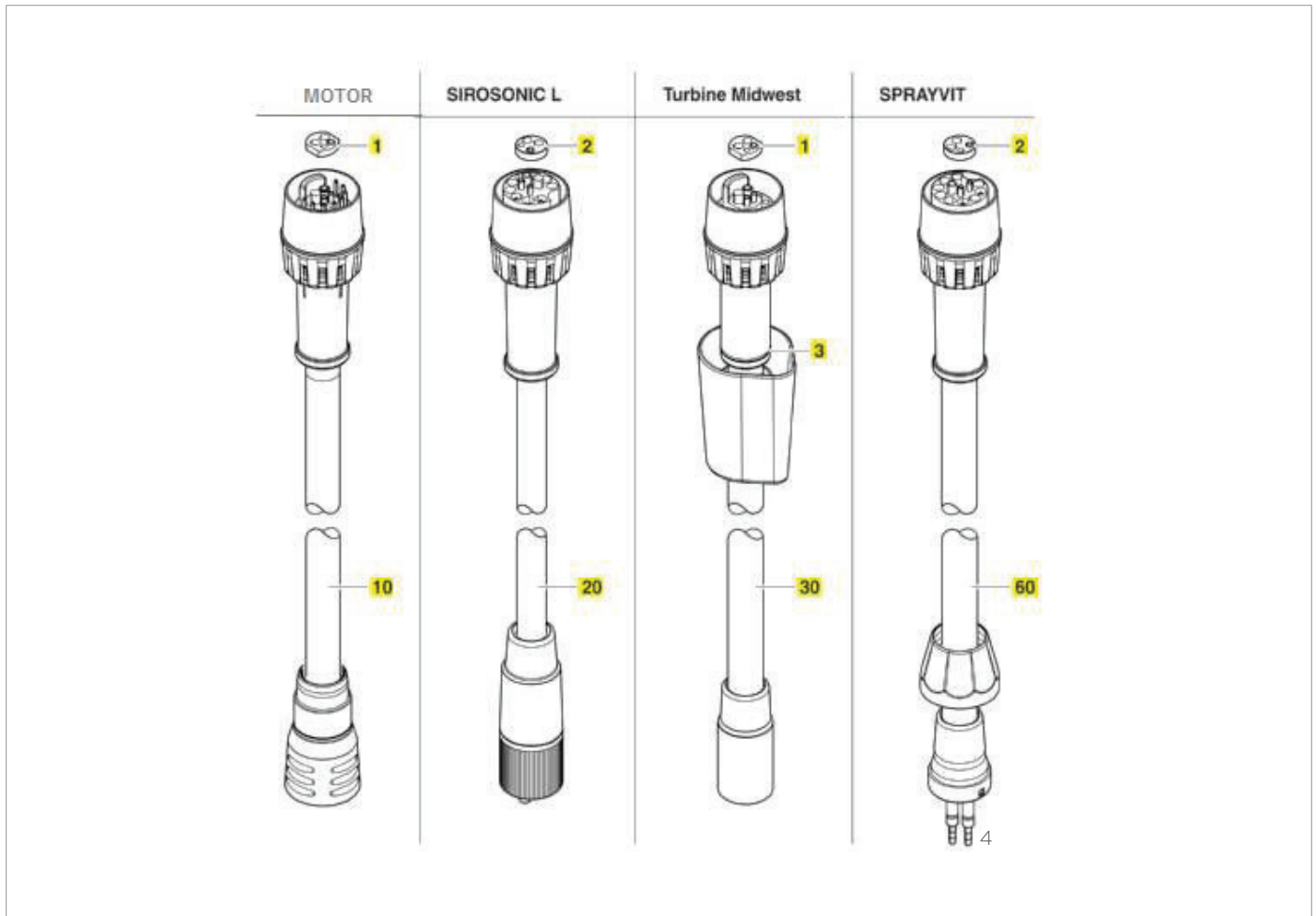
Hoses for Teneo/SInius Dentist Element Hoses



Listing	Description	Part #
1	Gasket	8928269
2	Gasket	5940259
10	Hose BL Implant	6212182
12	Hose BL ISO C	6336700
30	Sirosonic TL Hose	6212174
40	Turbine Hose	6216274
60	Sprayvit Hose	6321686
40.1	O-Ring 11.5cm x 1.0cm	7047236
60.1	O-Ring 2.2cm x 1.0cm	1891303
62	O-Ring 18.0cm x 2.0cm	7052384

Dentist Element Hoses

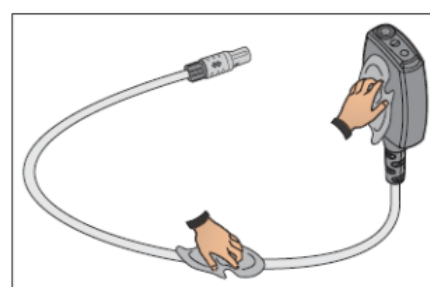
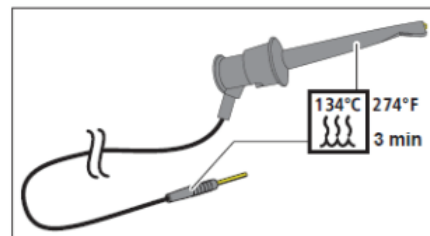
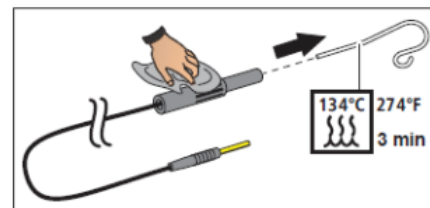
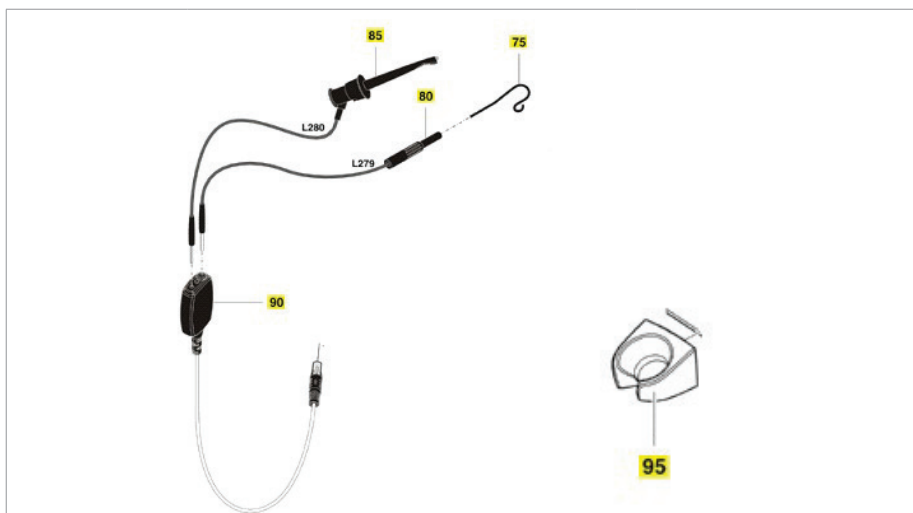
Hoses for Intego/Intego Pro Dentist Element Hoses



Listing	Description	Part #
1	Gasket	5940259
2	Gasket	8928269
3	O-Ring 11.5cm x 1.0cm	7047236
4	O-Ring 2.2cm x 1.0cm	1891303
10	BL ISO E Motor Hose	6336700
20	Sirosonic L Scaler Hose	6445998
30	Turbine Hose	6216274
Not Listed	Cavitron Scaler Hose	6632256
60	Syringe Hose	5951582

Spare Parts for Endodontic Apex Locator

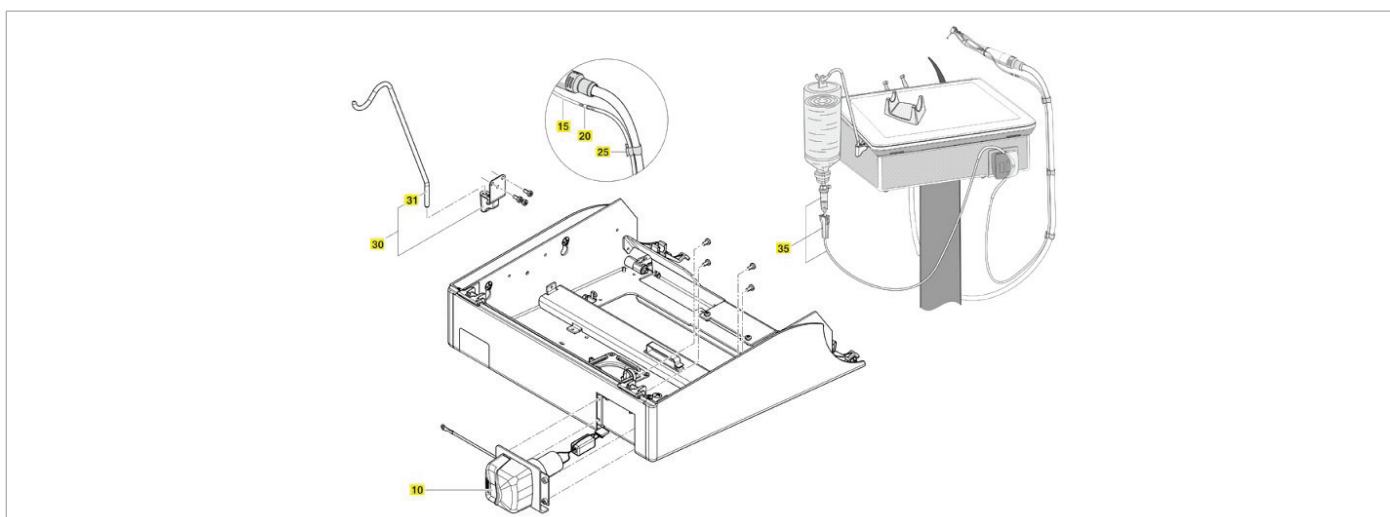
Apex Locator



Listing	Description	Part #
75	Mucosal Hook	6083468
80	Mucosal Hook Cable	6210129
85	File Clamp	6210145
90	Splitter Cable - L255	6246107
95	Cable Support	6540947

Spare Parts for Saline Pump Sinus/Teneo

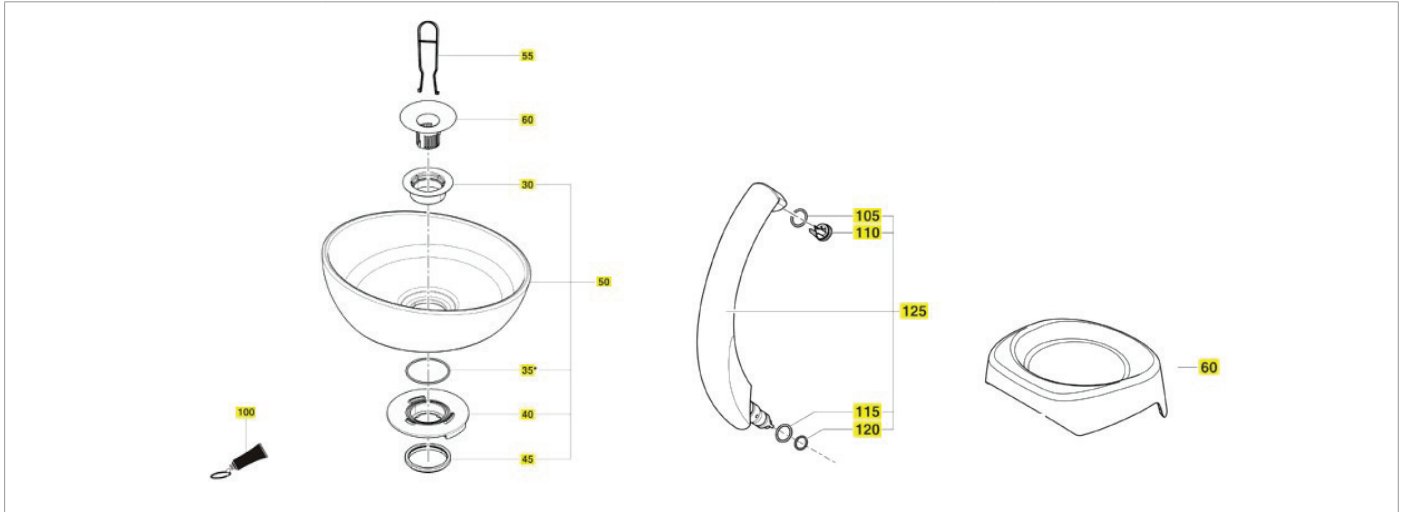
Saline Pump



Listing	Description	Part #
25	Saline Hose Clips	5930490
31	Saline Bag / Bottle Holder	6329473
35	Saline Hoses	6625953

Spare Parts for Water Tower

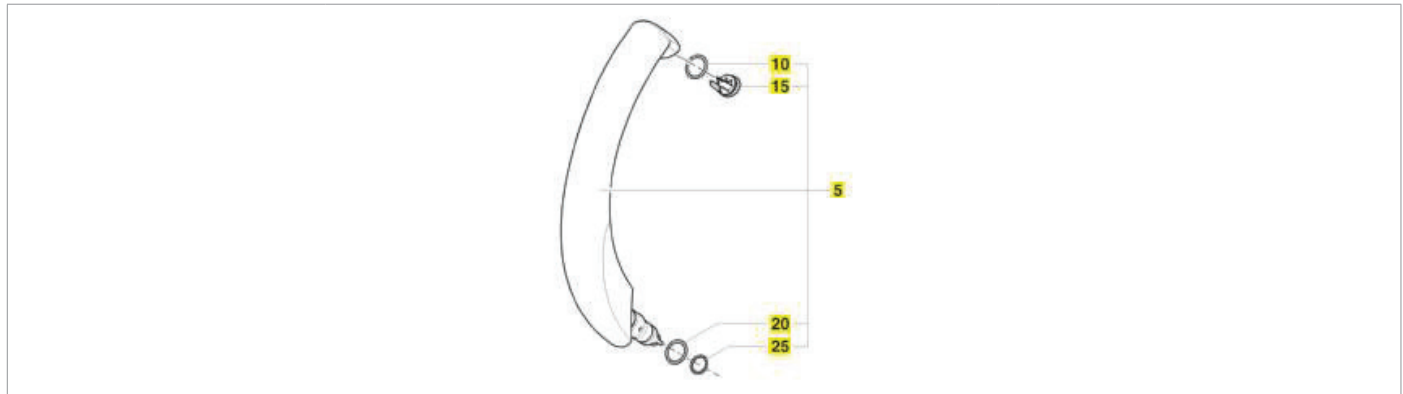
Spittoon Bowl Parts



Listing	Description	Part #
50	Glass Spittoon Bowl	6220896
55	Amalgam Trap Remover Tool	3586369
60	Amalgam Trap in Spittoon Bowl	3319592
100	Grease	6501261
60	Platform for Cup Holder	6571009
120	Cup Filler Spout	1442941

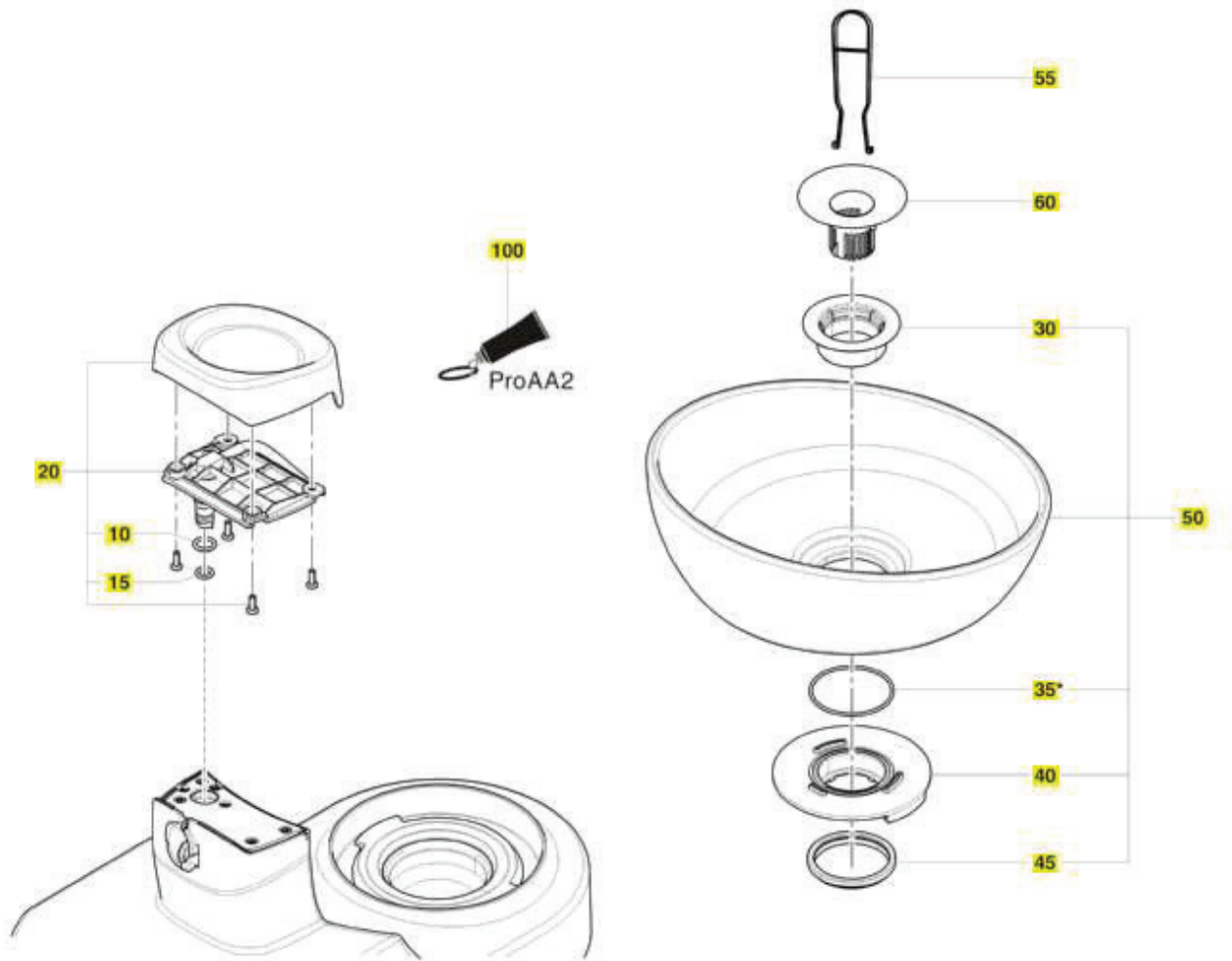
Spare Parts for Cup Filler Spout - all Treatment Centres

Cup Filler Spout



Listing	Description	Part #
5	Cup Filler complete	1442941
10	O-ring	7040843
15	Nozzle	1445407
20	O-ring	7053721
25	O-ring	7036353

Spittoon Bowl



Listing	Description	Part #
10	O-ring	6038587
15	O-ring	6038579
20	Cup Holder complete	6220979
30	Adjusting bush	1444756
35	O-ring	6038884
40	Quick connector	6183953
45	Seal bayonet lock	6183995
50	Cuspidor bowl	6354315
55	Funnel removal tool	3586369
60	Funnel	3319592
100	AA Grease	5886218

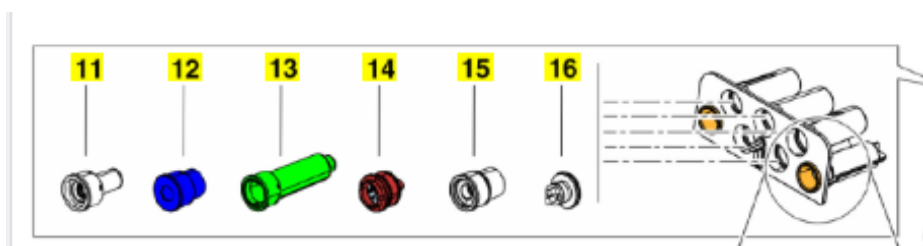
Spare Parts for Integrated Sanitisation

Sanitisation Adapters New Cartridges



	Description	Part #
	Instrument Cartridge for Spray on Left	6764067
	Instrument Cartridge for Spray on Right (Common)	6753409
	Suction Hose Cartridge (Triple for Axano)	6753391
	Suction Hose Cartridge (Single for Integos)	6774132

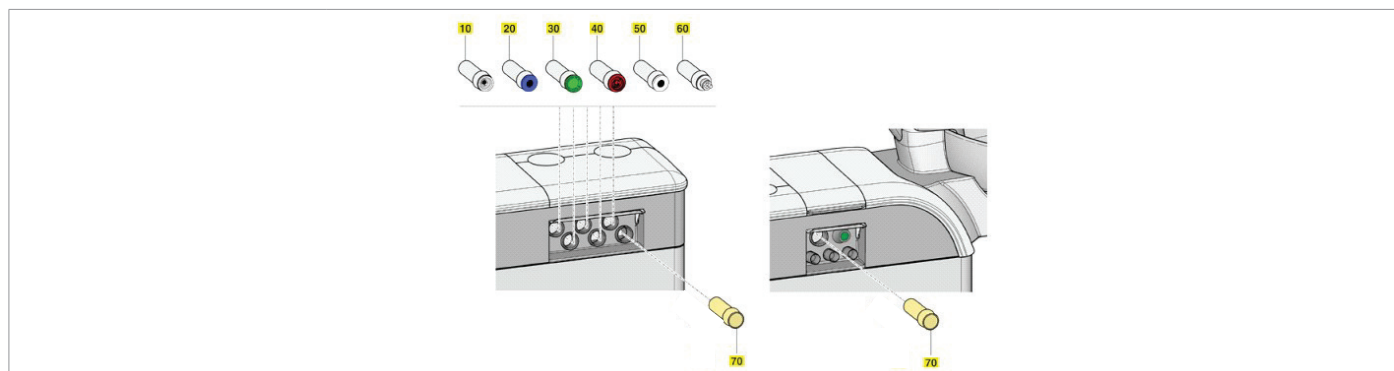
Sanitisation Adaptors for all New Units (after 2023)



Listing	Description	Part #
11	Adaptor - Sirona Turbine (White)	6766872
15	Adaptor - Kavo Turbine (White)	6766914
12	Adaptor - BL ISO Motor (Blue)	6766898
14	Adaptor - Scaler L (Red)	6766922
14	Adaptor - Scaler TL (Red)	6766856
13	Adaptor - SL/BL Motor (Green)	6766880

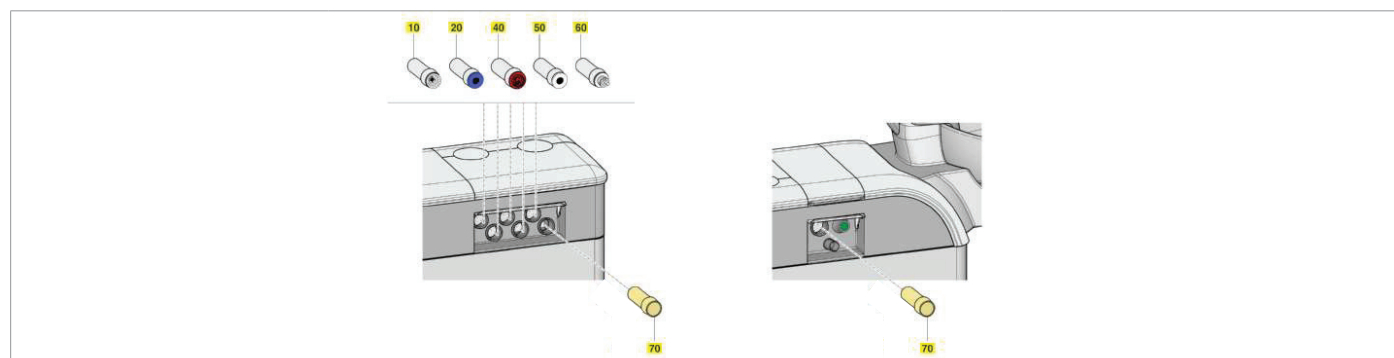
Spare Parts for Integrated Sanitisation

Sanitisation Adapters Pre-2023 Cartridges



Listing	Description	Part #
10	Sirona Turbine Adaptor (White)	6342369
20	BL ISO Motor Adaptor (Blue)	6342385
30	BL Motor Adaptor (Green)	6342377
40	Sirosonic TL Scaler (Red)	6342351
50	Kavo Turbine Adaptor (White)	6371442
60	Midwest Adaptor (White)	6342492
70	Sprayvit Adaptor (Yellow) - (water RHS Button)	6307131

Sanitisation Adapters Pre-2023 Intego/Intego Pro



Listing	Description	Part #
10	Adaptor - Sirona Turbine (White)	6342369
Not Pictured	Adaptor - Cavitron Scaler	6636216
20	Adaptor - BL ISO Motor (Blue)	6342385
40	Adaptor - Scaler (Red)	6470855
50	Adaptor - Kavo (White)	5371442
60	Adaptor - Midwest (White)	6342492
70	Adaptor - Sprayvit (Yellow)	6307131