



Evolve your practice with Utility Cabinetry.

Contact your Dentsply Sirona representative directly or call 844-848-0137.

dstreatmentcenters.com/utility-cabinetry

Dentsply Sirona Utility Cabinetry
Better, Safer, Faster Dentistry

THE DENTAL
SOLUTIONS
COMPANY™

Enabling Technologies
CAD/CAM
Imaging
Treatment Centers
Instruments

 **Dentsply
Sirona**

Utility Cabinetry

By Dentsply Sirona

Maximize your practice efficiency,
productivity, and safety

THE DENTAL
SOLUTIONS
COMPANY™

 **Dentsply
Sirona**

UTILITY CABINETRY



Created with purpose, Dentsply Sirona Utility Cabinetry by Kappler® maximizes practice efficiency, productivity, and safety while making daily activities simple and manageable.

Integration

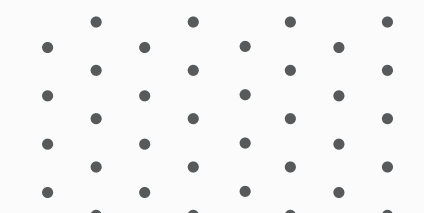
Configured to conform to the individual needs of any practice, Utility Cabinetry optimizes organization, instrument sterilization, and overall workflow.

Design

When functionality is compatible with sleek beauty, how you work becomes simplified and an environment for seamless dentistry emerges.

Experience

Increased safety and efficient management of materials allow for peace of mind so you can focus on providing optimal care to patients.



I/C Sterilization



PHASE 1

Receiving, cleaning, and decontamination

Receiving the soiled instruments from the treatment area permits the dental team to discard potentially infectious items within the cabinetry's Hazardous Waste module for safe disposal of bio-waste, sharps, and regular trash.

PHASE 2

Preparation and packaging

The cleanbox and hand sanitization area combined with the rinsing and packaging area allow the operator to control the quality of the cleaning and decontamination processes, ensuring sterilization effectiveness.

PHASE 3

Sterilization

Sterilization modules accommodate all sterilization equipment with a wide array of configurations. Equipment integration for different sterilization techniques such as: steam, dry heat, and chemical sterilization.

PHASE 4

Storage

The Sterile Instrument Storage module provides safe storage for sterilized instruments, reducing the possibility of contamination. The storage system for supplies makes inventory straightforward while facilitating the procedural distribution.

Implementing a 4-phase sterilization approach follows best practices and the CDC Guidelines for Infection Control in Dental Health-Care Settings.

I TC Sterilization

SOILED SIDE

CLEAN SIDE

STORAGE



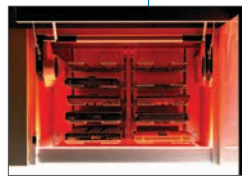
Countertop-mounted hazardous waste module for safe disposal



Rinsing area features extendable water-spray nozzle



Hands-free dispensers for soap, sanitizer, paper towels, masks, and gloves



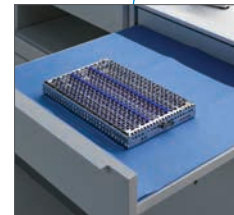
Soiled instrument storage houses instruments to be processed



Tapmaster hands-free faucet control



Patented soft-closing technology drawers for ample storage within all configurations



Wrapping station for efficient packaging and sterilization



Equipment shelving with high-performance rail system



Utility shelving accommodates large trays and cassettes



Setup area can be used to assemble procedural components while consulting the schedule and planning details



Storage for clean instrument cassettes, trays and procedure tubs, ready to be brought to the operatories



Tilting storage racks allow for unencumbered access to supplies

Sterilization Storage

INTELLIGENT ACCESS TO EVERYTHING YOU NEED

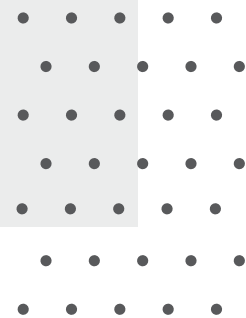
With a sleek design, timeless look, and precise craftsmanship, style and function work in perfect harmony to complement any office space. Hands-free operation and patented soft-closing technology streamline sterilization and storage while keeping noise at an absolute minimum.



CEREC® MILLING CABINETS



Enables noise reduction, supply organization, and comes equipped with lockable storage for security.



A single-drawer cabinet topper eliminates clutter and provides fast, easy access to essential milling items.



Cabinetry is also available in a tabletop version.

X-RAY & CPU CABINETS



The wall-mounted PC cabinet puts keyboard and monitor at the right height, with convenient CPU tower storage.

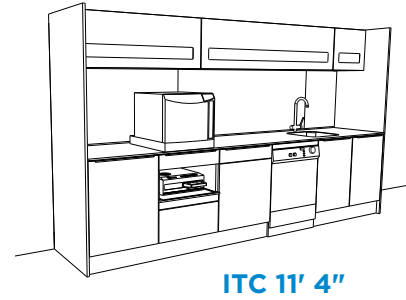
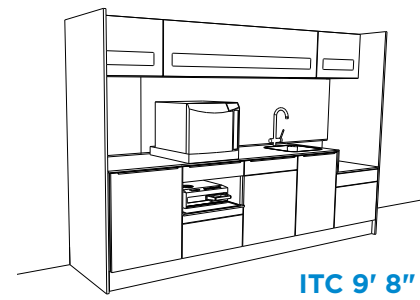


Allows simple organization of bite blocks, hygiene covers, service kit, user manual, and support, and provides additional storage.

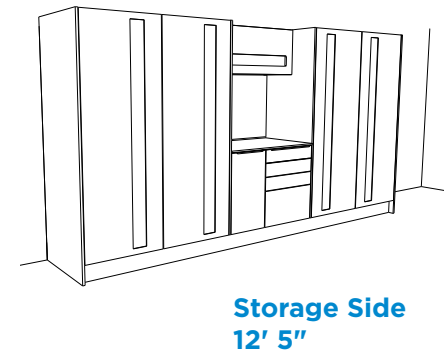
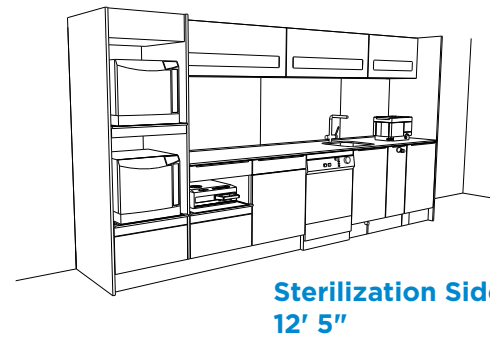
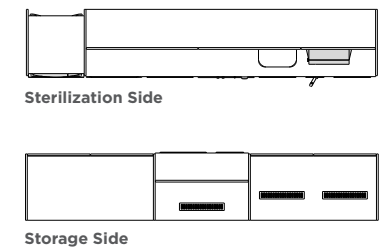


UTILITY CABINETRY

STERILIZATION

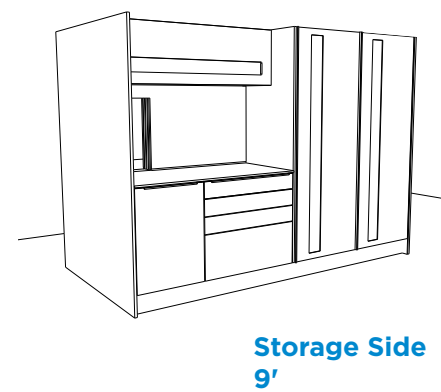
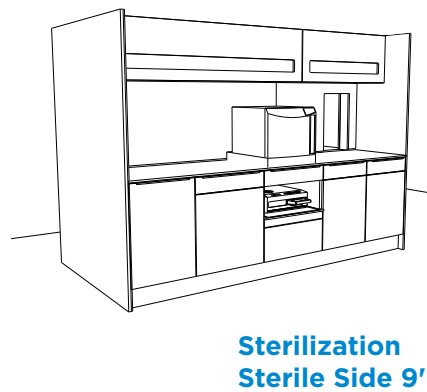
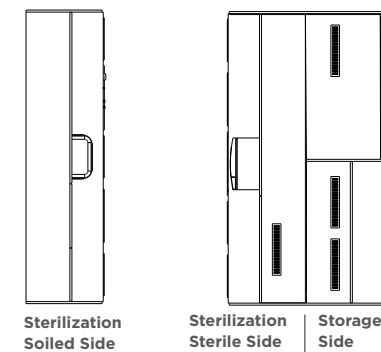


ITC 2-SIDED CONFIGURATION



ITC 2-Sided Plan View

ITC 3-SIDED CONFIGURATION



ITC 3-Sided Plan View

Utility Cabinetry. Everything you need, right where you need it.

UNSURPASSED ORGANIZATION

Boost productivity with specialized, dedicated inventory storage and color-coded space for quick visual identification.



EXCEPTIONAL CRAFTSMANSHIP

Enhance both office form and function with quality design and materials from master craftsmen, including hands-free operation and patented soft-closing doors and drawers.



ENHANCED AESTHETIC APPEAL

Enrich both patient and clinical team experience with a well-organized, visually appealing office space designed to offer an inviting, relaxing environment.



SEAMLESS OFFICE INTEGRATION

Optimize office environment with cabinetry that fits into your current or new space effortlessly, while meeting strict industry and regulatory standards and guidelines.

